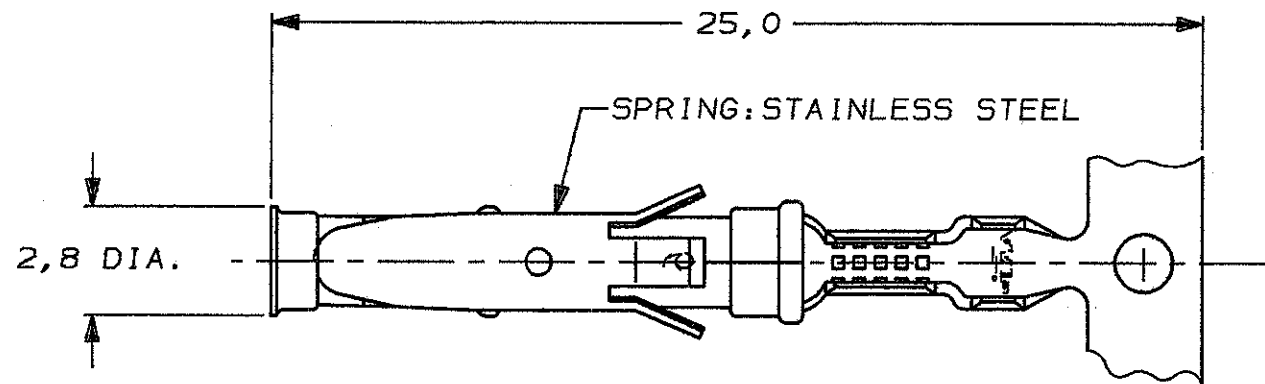
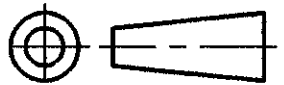


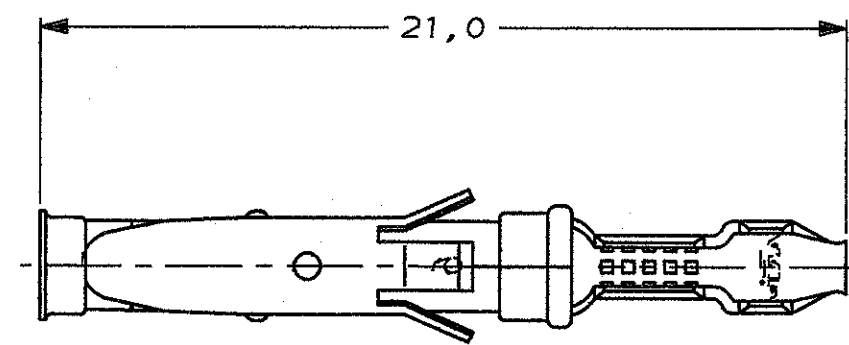
DO NOT SCALE
DIMENSIONS IN mm

METRIC

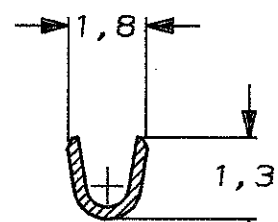
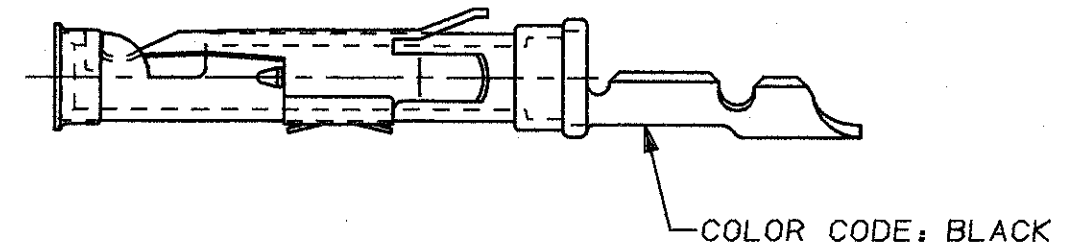
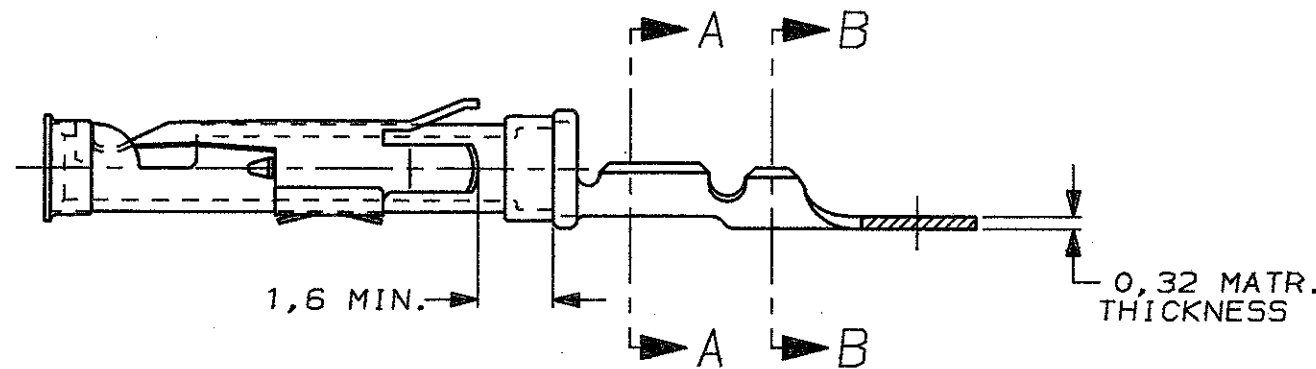
THIRD ANGLE
PROJECTION



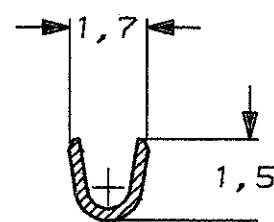
STRIP



LOOSE-PIECE

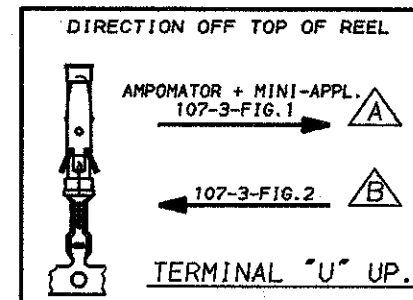


SECTION A-A



SECTION B-B

WIRE RANGE : 0,03-0,09 mm² (32-28 AWG)
INSUL. RANGE : 0,4 -0,8 mm (.016-.030)



PARTNUMBER	DIRECTION OF REEL	LOOSE-PIECE	MATERIAL	PLATING
1-166971-1	A		BRASS	ECON. GOLD ²¹
1-166971-0	B	1-166978-0	BRASS	ECON. GOLD ²¹
166971-5	A		BRASS	EL. TIN ²⁰
166971-4	A		BRASS	SEL. GOLD ²²
166971-2	B	166978-2	BRASS	SEL. GOLD ²²
166971-1	B	166978-1	BRASS	EL. TIN ²⁰

NOTES :
1 FOR CRIMPDETAILS SEE AMP-SPEC. 114-19.000 .
2 MEETS PRODUCTSPECIFICATION 108-10042.

NOTES	MATERIAL	THICKNESS	AREA
²⁰	TIN	2,0 μm	ALL OVER
²¹	NICKEL GOLD TIN/LEAD	0,8 μm	ALL OVER CONTACT AREA BARREL
²²	NICKEL GOLD GOLD	0,8 μm	ALL OVER CONTACT AREA ALL OVER
²³	NICKEL GOLD GOLD	1,2 μm	ALL OVER CONTACT AREA ALL OVER
²⁴	NICKEL SILVER TIN/LEAD	2,5 μm	ALL OVER CONTACT AREA BARREL
²⁵	SILVER	0,5 μm	ALL OVER
²⁶	SILVER	2,5 μm	ALL OVER

CUSTOMER DRAWING
FOR REFERENCE ONLY
WILL NOT BE UPDATED

AMP HOLLAND B.V.
's-Hertogenbosch, The Netherlands.
THIS DRAWING IS UNPUBLISHED RELEASED FOR PUBLICATION AUG., 1987
© COPYRIGHT 1987 BY AMP-HOLLAND B.V.
ALL INTERNATIONAL RIGHTS RESERVED.
AMP PRODUCTS MAY BE COVERED BY U.S. AND FOREIGN PATENTS AND/OR PATENTS PENDING.

DR. L.V.D.HEYDEN	DATE 19.08.1987	WIRE RANGE -	NAME SOCKET TYPE III CONTACT SIZE 16	REV. DATE D M Y 02 08 04
CHK. P.V.D.HAGEN	DATE -	INSUL. RANGE -		
APP. L.V.SOEST	DATE -	SIZE A3	SHEET 1 OF 1	DWG. No. C-166971
				REV. LTR. E